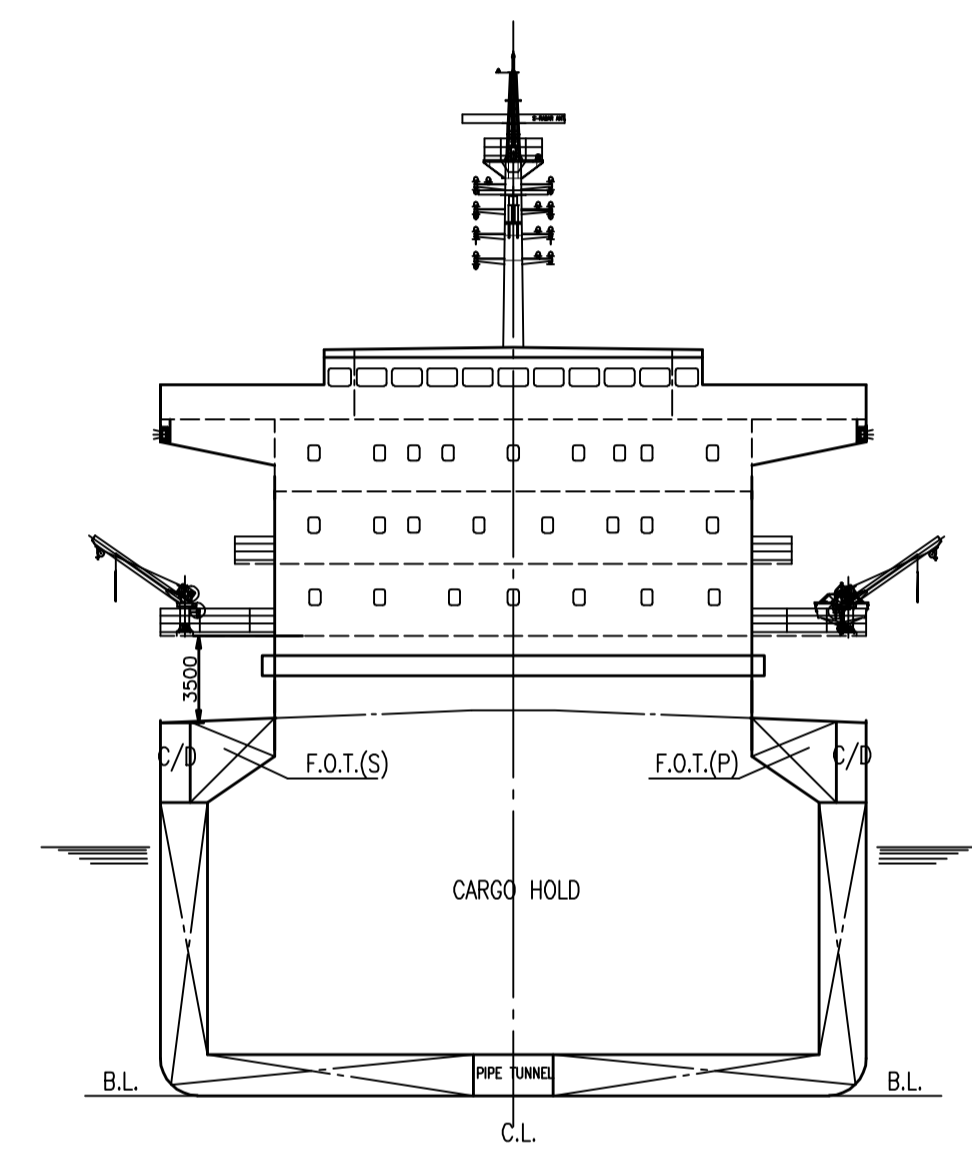
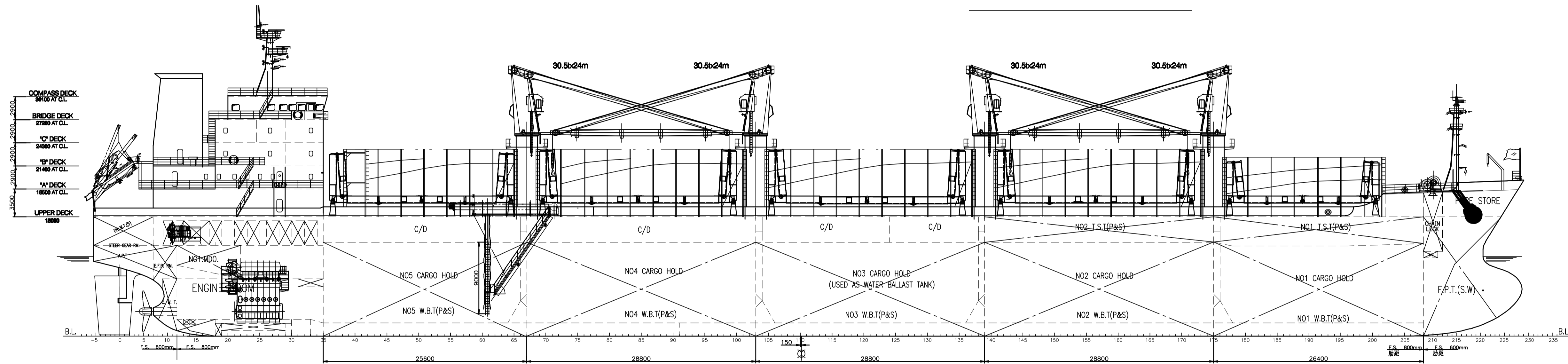
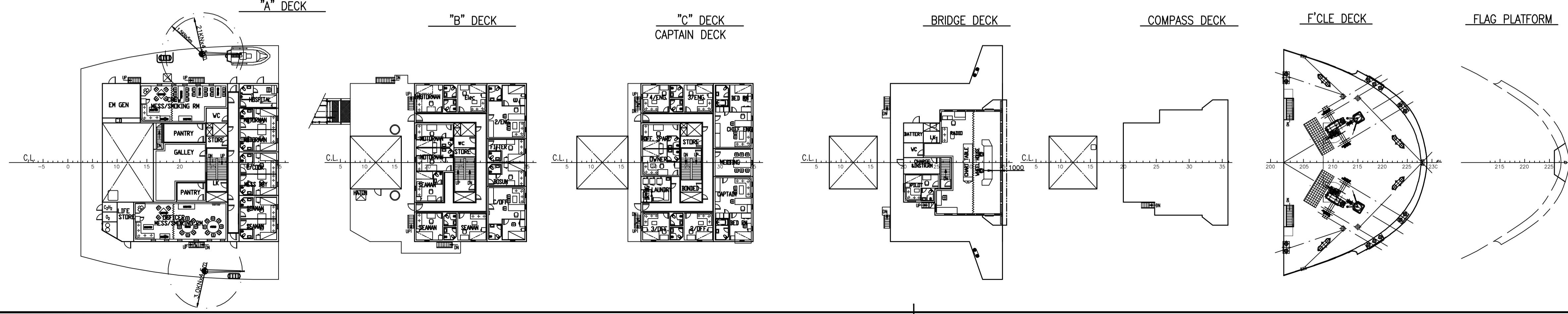


PRINCIPAL PARTICULARS

LENGTH O.A.	abt. 179.90 m	COMPLEMENT	25P
LENGTH B.P.	171.60 m	SPEED	
BREADTH MLD.	28.40 m	SERVICE(d=10.00m, CSR(80%MCR) with 15% S.M.)	abt. 13.7 knots
DEPTH MLD.	15.00 m	TRIAL MAX.	abt. 15.2 knots
DESIGNED DRAFT	10.00 m		
SCANTLING DRAFT	10.80 m		
DEADWEIGHT (DESIGNED DRAFT)	abt. 31,500 M.T.		
DEADWEIGHT (SCANTLING DRAFT)	abt. 35,000 M.T.		
MAIN ENGINE		CLASS NOTATION	
MAN B&W 6S42MC (MARK7)	1 SET	● KRS1-Bulk Carrier 'ESP',CSR	
MCR	6480kW×136.0rpm	BC-A(hold Nos.2&4 may be empty),Grab [20] ,IWS,	
CSR(90%MCR)	5832kW×131.3rpm	● KRM1-UMA,STCM	

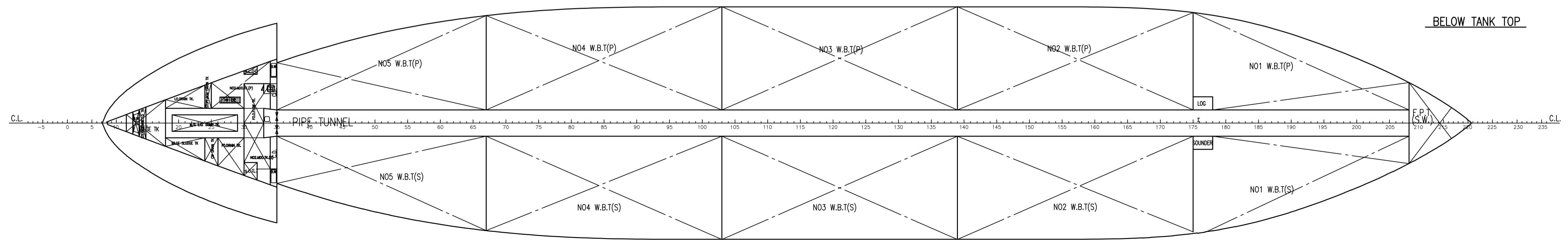
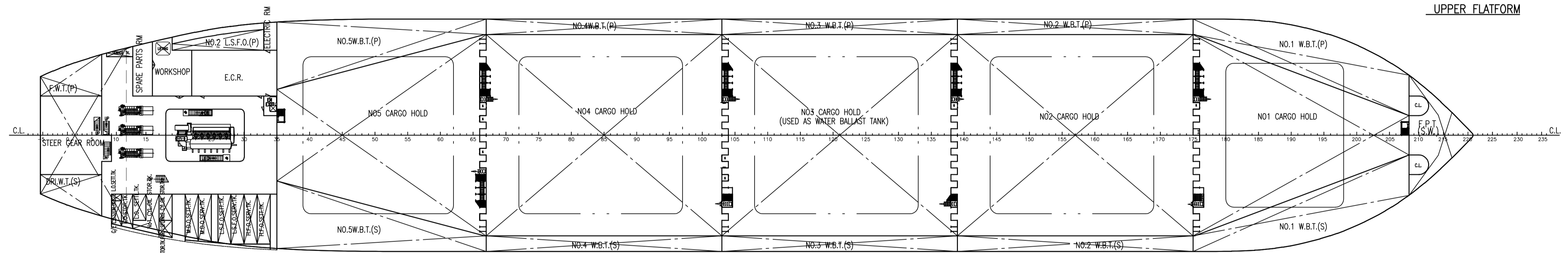
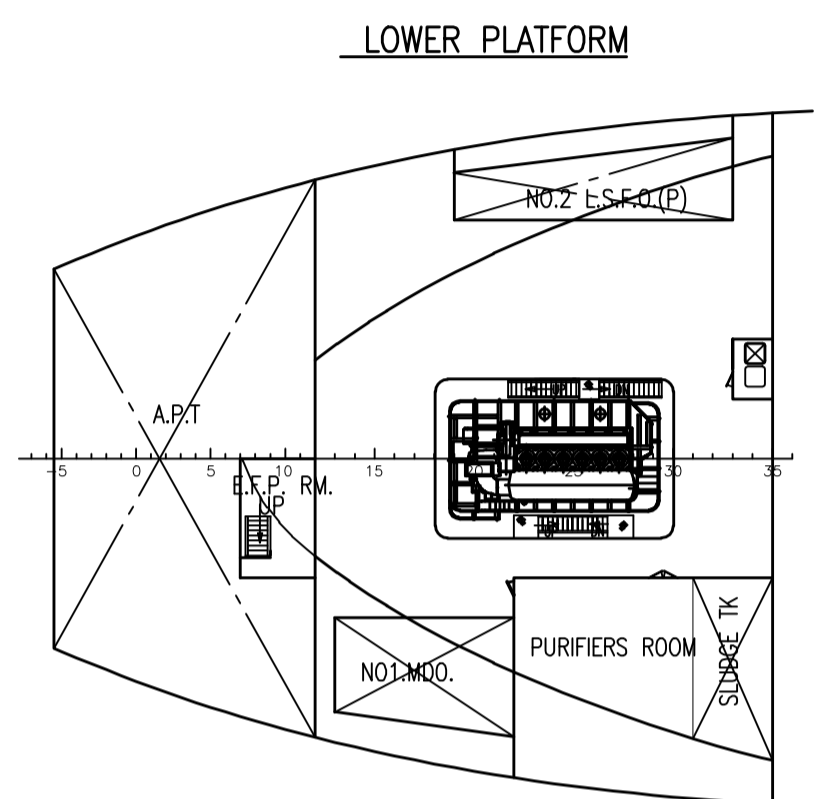
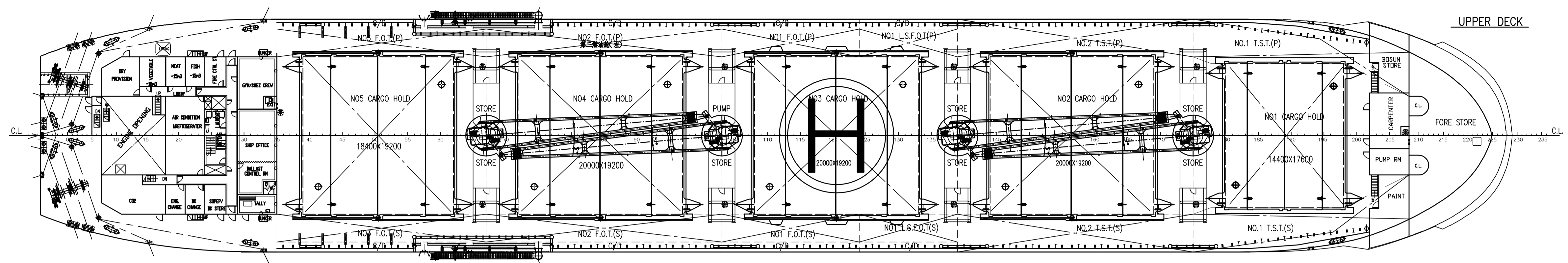


PROFILE



SHIP NAME: POLARIS MELODY
IMO NO: 9455387

BUILDER	NANJING DONGZE SHIPYARD CO.,LTD	HULL NO.	DZ06H-15
OWNER		CLASS	KR
TITLE	35,000 DWT BULK CARRIER	DETAIL DESIGN	
DESIGNED		DWG. No.	JH429G1-100-05
CHECKED		SCALE	1:300
VERIFIED		WEIGHT	0 kg
APPROVED		PAGE	1/2
SHANGHAI BESTWAY MARINE ENGINEERING DESIGN CO.,LTD		111 Cao Bao Road Shanghai, CHINA P.C.200238	
BESTWAY		Tel:86-21-6436 5500 Fax:86-21-6448 7788	
		Email: luckwey@mail.online.sh.cn	



SHIP NAME: POLARIS MELODY
IMO NO: 9455387