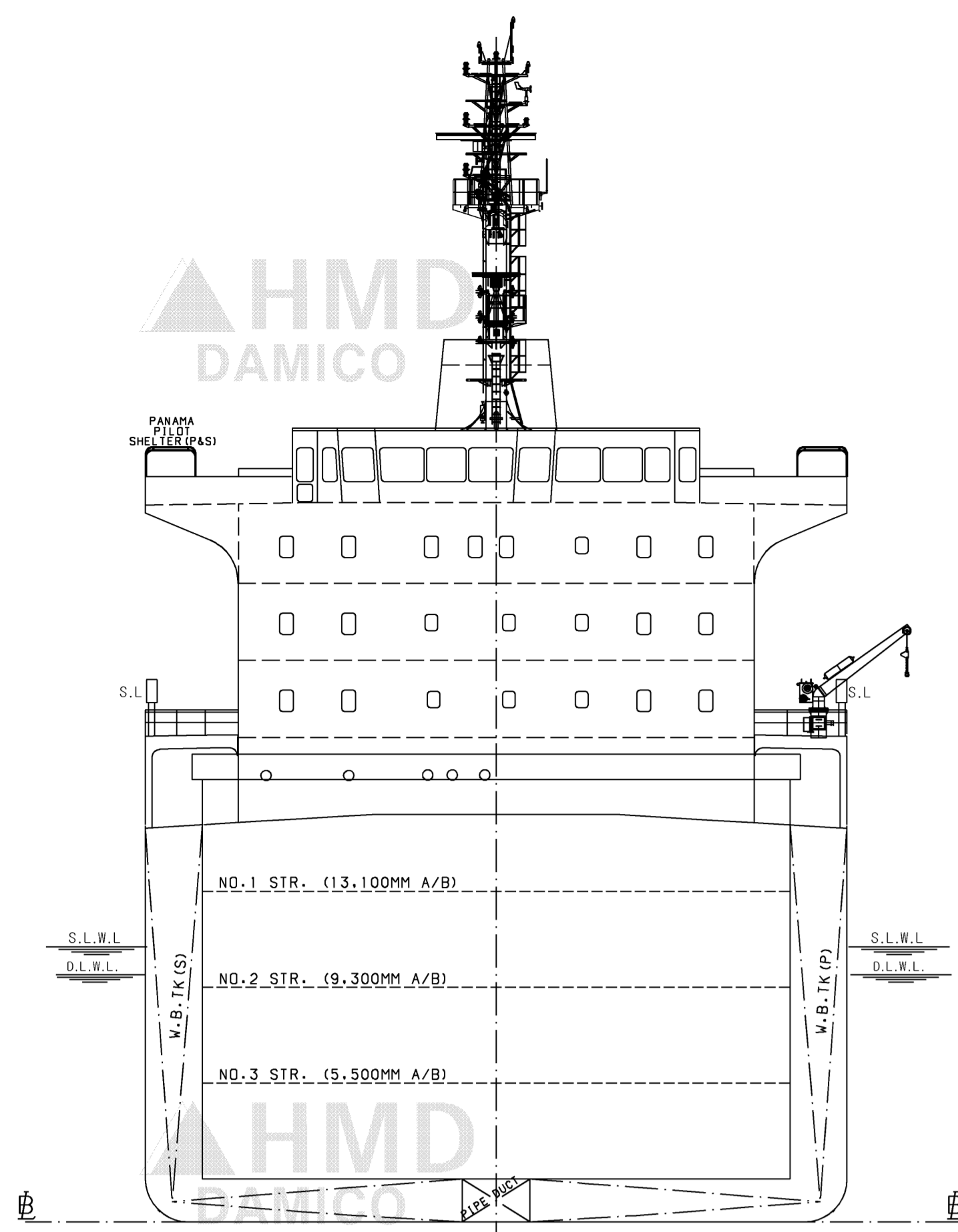
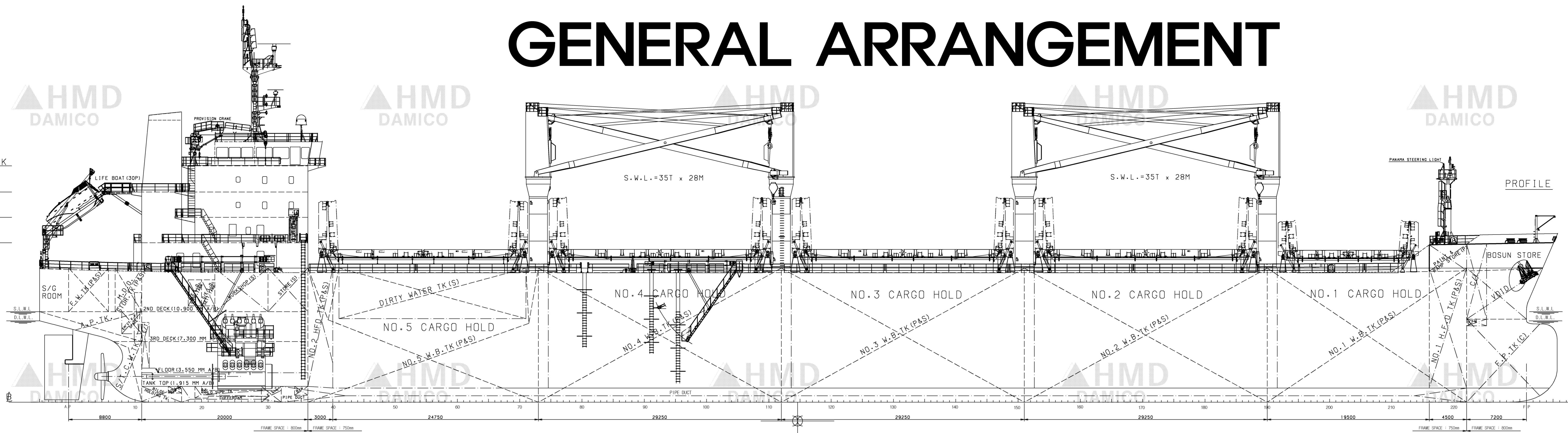


# GENERAL ARRANGEMENT

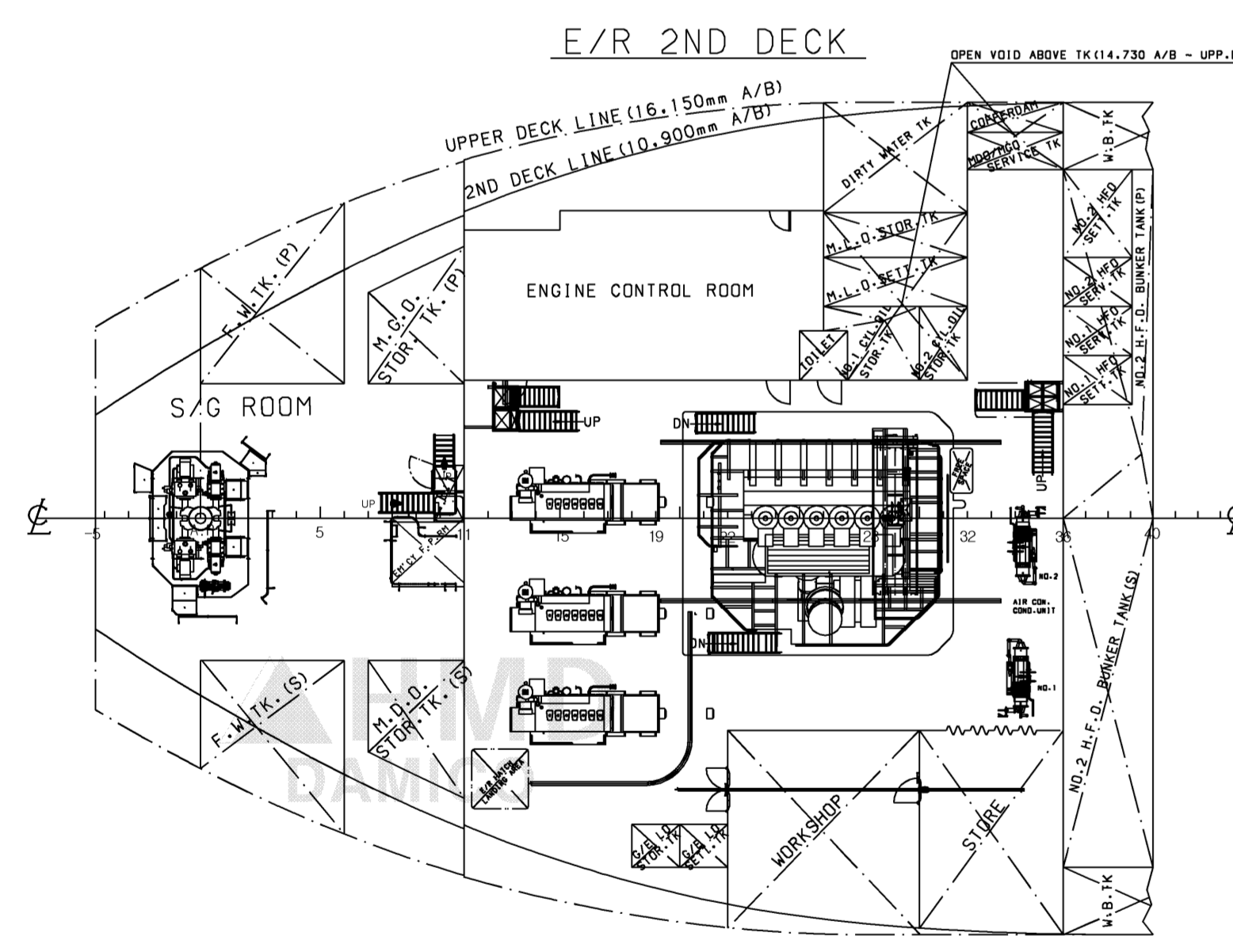
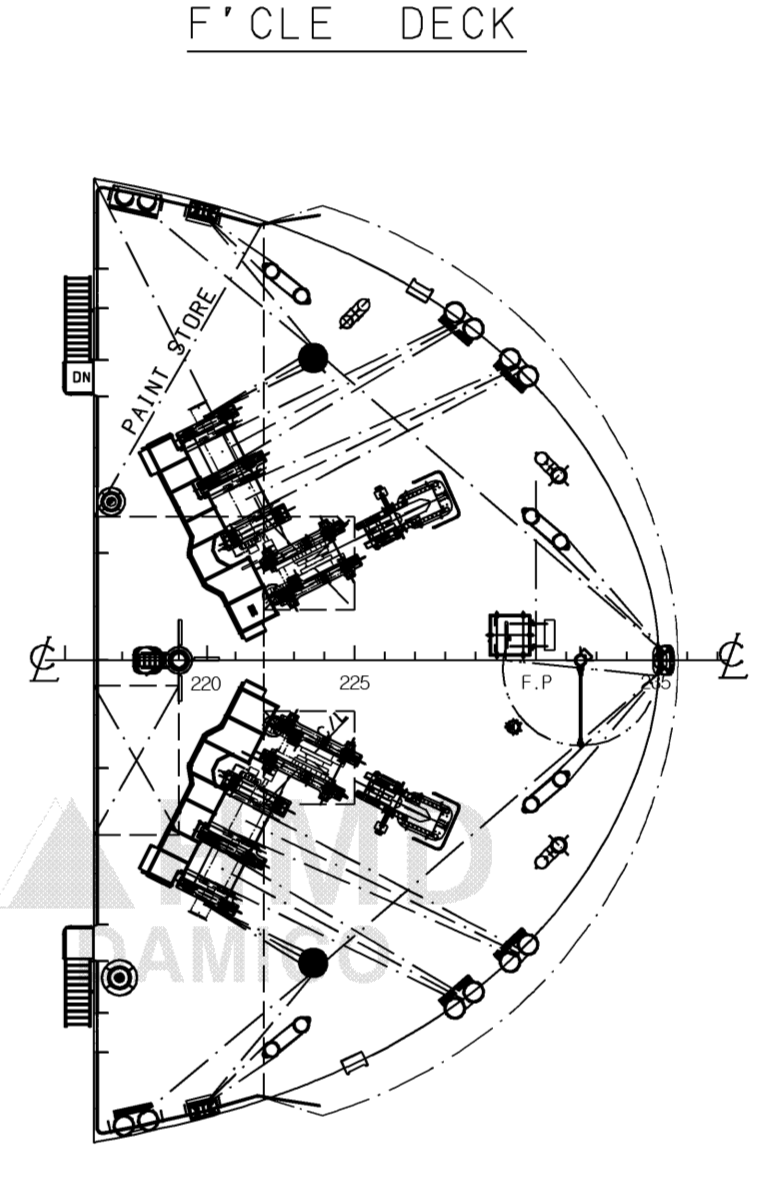
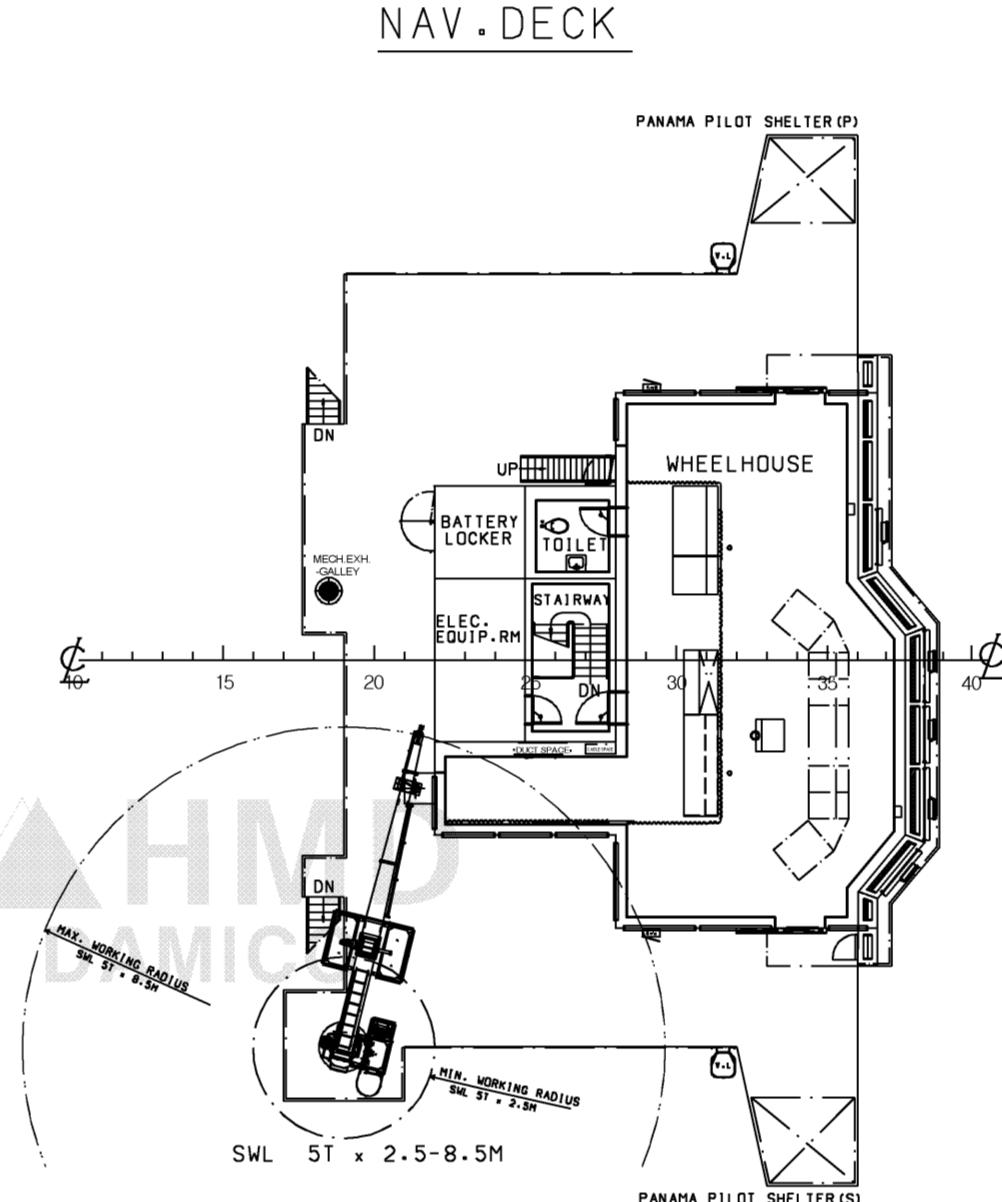
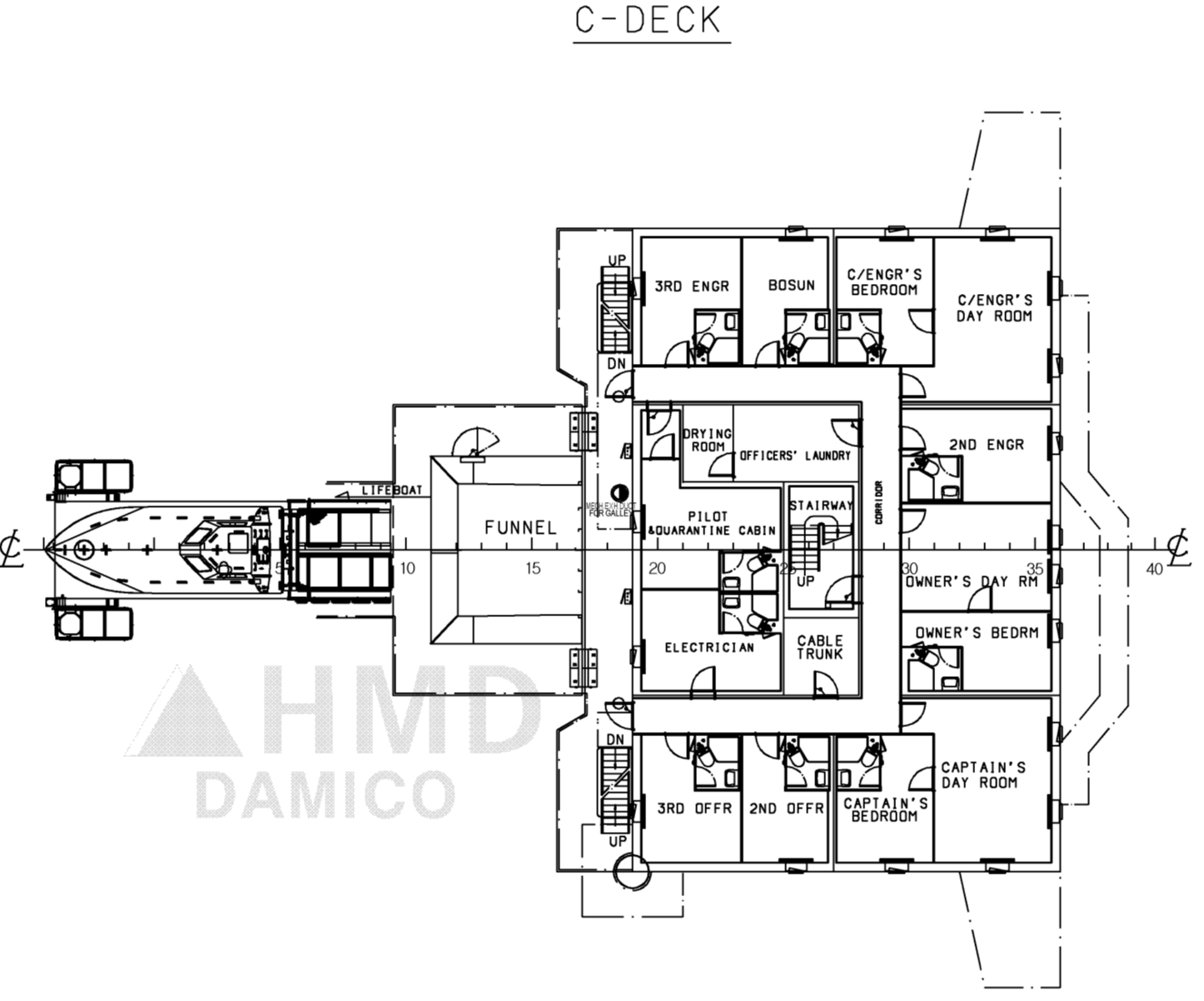
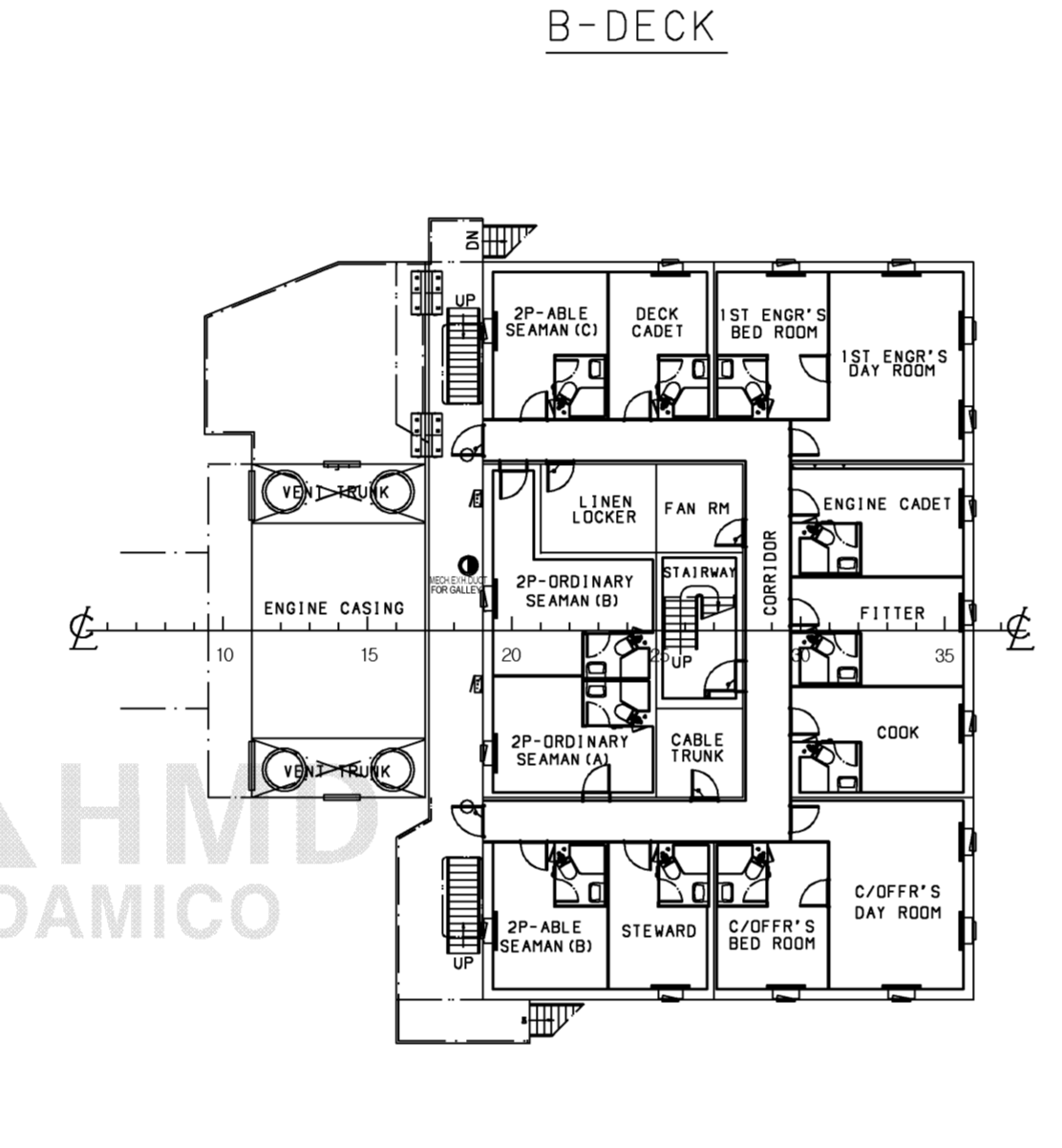
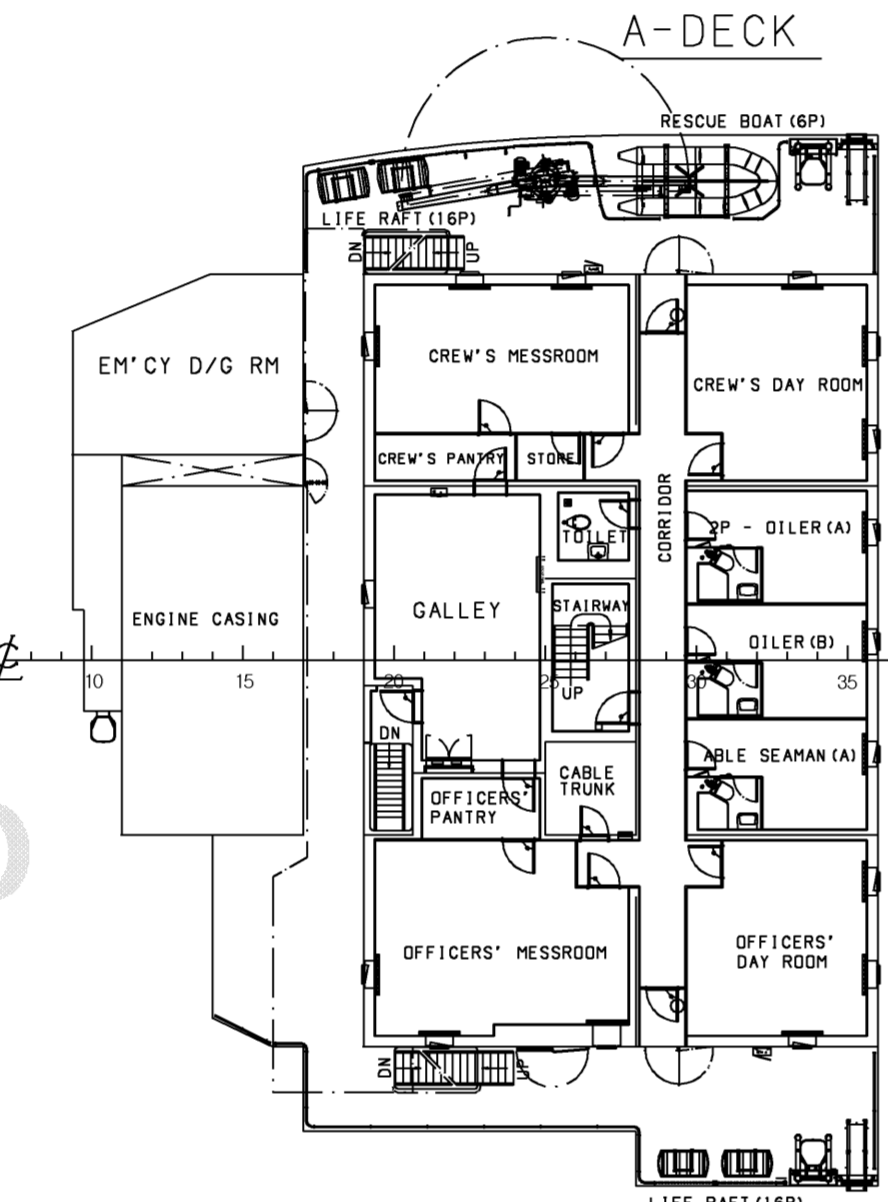


MIDSHIP SECTION

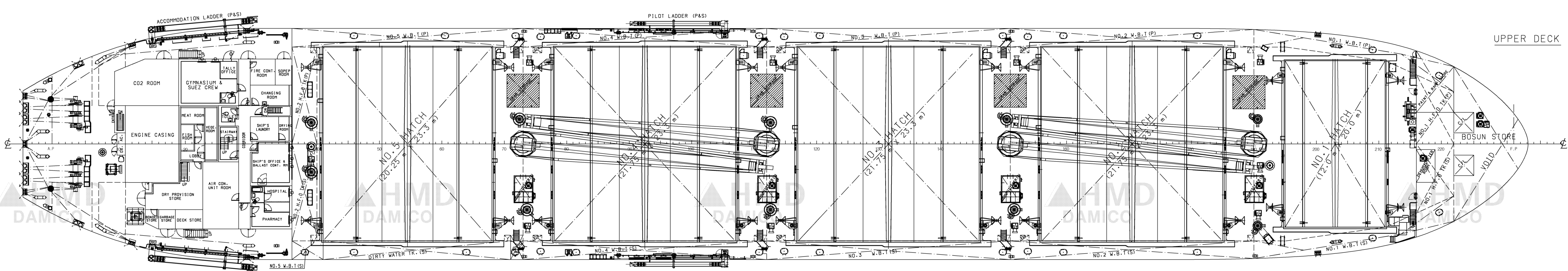
NAV. DECK  
C-DECK  
B-DECK  
A-DECK



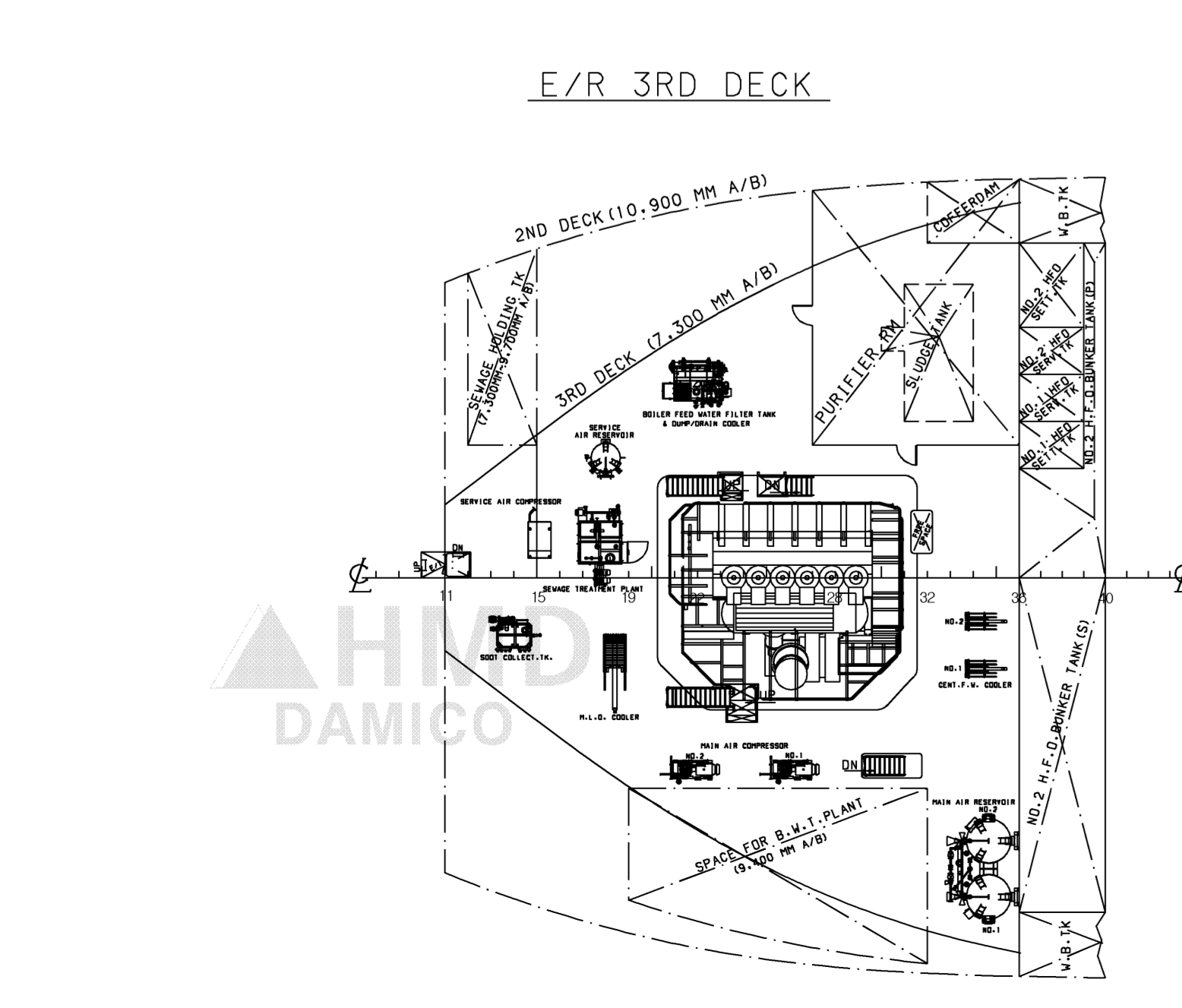
PROFILE



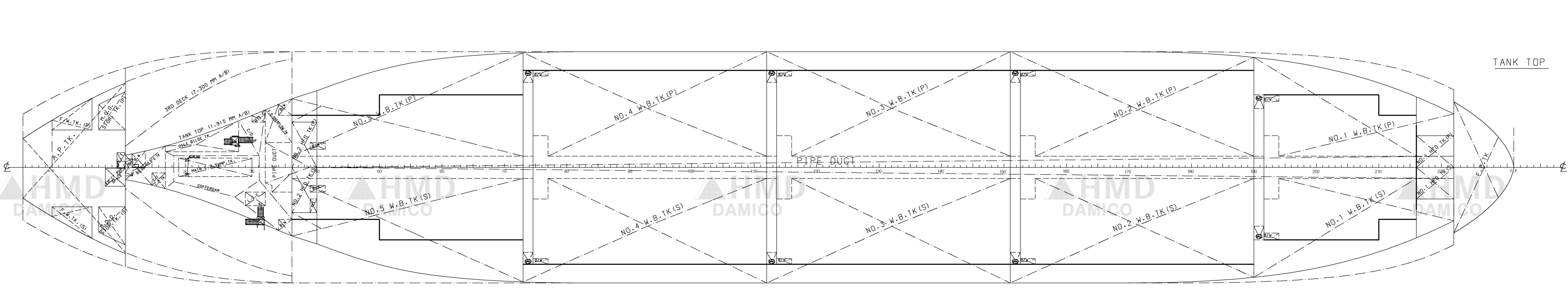
E/R 2ND DECK



UPPER DECK



E/R 3RD DECK



TANK TOP

PLAN HISTORY						
DATE	REV.	MARK	DESCRIPTION	DRAWN	CHECKED	APPROVED
SEP-06-2011	1		1. CHANGED THE DRAWING NO. FROM 14000011 USING 14111W. DESIGN DEPT 1 TO 60960011 USING 6096 DESIGN DEPT 1 2. REVISED ACCORDING TO DESIGN DEVELOPMENT 1 3. REVISED ACCORDING TO DESIGN DEVELOPMENT 2 4. REVISED ACCORDING TO DESIGN DEVELOPMENT 3 5. REVISED ACCORDING TO DESIGN DEVELOPMENT 4 6. REVISED ACCORDING TO DESIGN DEVELOPMENT 5 7. REVISED ACCORDING TO DESIGN DEVELOPMENT 6 8. REVISED ACCORDING TO DESIGN DEVELOPMENT 7 9. REVISED ACCORDING TO DESIGN DEVELOPMENT 8 10. REVISED ACCORDING TO DESIGN DEVELOPMENT 9 11. REVISED ACCORDING TO DESIGN DEVELOPMENT 10 12. REVISED ACCORDING TO DESIGN DEVELOPMENT 11 13. REVISED ACCORDING TO DESIGN DEVELOPMENT 12 14. REVISED ACCORDING TO DESIGN DEVELOPMENT 13 15. REVISED ACCORDING TO DESIGN DEVELOPMENT 14 16. REVISED ACCORDING TO DESIGN DEVELOPMENT 15 17. REVISED ACCORDING TO DESIGN DEVELOPMENT 16 18. REVISED ACCORDING TO DESIGN DEVELOPMENT 17 19. REVISED ACCORDING TO DESIGN DEVELOPMENT 18 20. REVISED ACCORDING TO DESIGN DEVELOPMENT 19 21. REVISED ACCORDING TO DESIGN DEVELOPMENT 20 22. REVISED ACCORDING TO DESIGN DEVELOPMENT 21 23. REVISED ACCORDING TO DESIGN DEVELOPMENT 22 24. REVISED ACCORDING TO DESIGN DEVELOPMENT 23 25. REVISED ACCORDING TO DESIGN DEVELOPMENT 24 26. REVISED ACCORDING TO DESIGN DEVELOPMENT 25 27. REVISED ACCORDING TO DESIGN DEVELOPMENT 26 28. REVISED ACCORDING TO DESIGN DEVELOPMENT 27 29. REVISED ACCORDING TO DESIGN DEVELOPMENT 28 30. REVISED ACCORDING TO DESIGN DEVELOPMENT 29 31. REVISED ACCORDING TO DESIGN DEVELOPMENT 30 32. REVISED ACCORDING TO DESIGN DEVELOPMENT 31 33. REVISED ACCORDING TO DESIGN DEVELOPMENT 32 34. REVISED ACCORDING TO DESIGN DEVELOPMENT 33 35. REVISED ACCORDING TO DESIGN DEVELOPMENT 34 36. REVISED ACCORDING TO DESIGN DEVELOPMENT 35 37. REVISED ACCORDING TO DESIGN DEVELOPMENT 36 38. REVISED ACCORDING TO DESIGN DEVELOPMENT 37 39. REVISED ACCORDING TO DESIGN DEVELOPMENT 38 40. REVISED ACCORDING TO DESIGN DEVELOPMENT 39 41. REVISED ACCORDING TO DESIGN DEVELOPMENT 40 42. REVISED ACCORDING TO DESIGN DEVELOPMENT 41 43. REVISED ACCORDING TO DESIGN DEVELOPMENT 42 44. REVISED ACCORDING TO DESIGN DEVELOPMENT 43 45. REVISED ACCORDING TO DESIGN DEVELOPMENT 44 46. REVISED ACCORDING TO DESIGN DEVELOPMENT 45 47. REVISED ACCORDING TO DESIGN DEVELOPMENT 46 48. REVISED ACCORDING TO DESIGN DEVELOPMENT 47 49. REVISED ACCORDING TO DESIGN DEVELOPMENT 48 50. REVISED ACCORDING TO DESIGN DEVELOPMENT 49 51. REVISED ACCORDING TO DESIGN DEVELOPMENT 50 52. REVISED ACCORDING TO DESIGN DEVELOPMENT 51 53. REVISED ACCORDING TO DESIGN DEVELOPMENT 52 54. REVISED ACCORDING TO DESIGN DEVELOPMENT 53 55. REVISED ACCORDING TO DESIGN DEVELOPMENT 54 56. REVISED ACCORDING TO DESIGN DEVELOPMENT 55 57. REVISED ACCORDING TO DESIGN DEVELOPMENT 56 58. REVISED ACCORDING TO DESIGN DEVELOPMENT 57 59. REVISED ACCORDING TO DESIGN DEVELOPMENT 58 60. REVISED ACCORDING TO DESIGN DEVELOPMENT 59 61. REVISED ACCORDING TO DESIGN DEVELOPMENT 60 62. REVISED ACCORDING TO DESIGN DEVELOPMENT 61 63. REVISED ACCORDING TO DESIGN DEVELOPMENT 62 64. REVISED ACCORDING TO DESIGN DEVELOPMENT 63 65. REVISED ACCORDING TO DESIGN DEVELOPMENT 64 66. REVISED ACCORDING TO DESIGN DEVELOPMENT 65 67. REVISED ACCORDING TO DESIGN DEVELOPMENT 66 68. REVISED ACCORDING TO DESIGN DEVELOPMENT 67 69. REVISED ACCORDING TO DESIGN DEVELOPMENT 68 70. REVISED ACCORDING TO DESIGN DEVELOPMENT 69 71. REVISED ACCORDING TO DESIGN DEVELOPMENT 70 72. REVISED ACCORDING TO DESIGN DEVELOPMENT 71 73. REVISED ACCORDING TO DESIGN DEVELOPMENT 72 74. REVISED ACCORDING TO DESIGN DEVELOPMENT 73 75. REVISED ACCORDING TO DESIGN DEVELOPMENT 74 76. REVISED ACCORDING TO DESIGN DEVELOPMENT 75 77. REVISED ACCORDING TO DESIGN DEVELOPMENT 76 78. REVISED ACCORDING TO DESIGN DEVELOPMENT 77 79. REVISED ACCORDING TO DESIGN DEVELOPMENT 78 80. REVISED ACCORDING TO DESIGN DEVELOPMENT 79 81. REVISED ACCORDING TO DESIGN DEVELOPMENT 80 82. REVISED ACCORDING TO DESIGN DEVELOPMENT 81 83. REVISED ACCORDING TO DESIGN DEVELOPMENT 82 84. REVISED ACCORDING TO DESIGN DEVELOPMENT 83 85. REVISED ACCORDING TO DESIGN DEVELOPMENT 84 86. REVISED ACCORDING TO DESIGN DEVELOPMENT 85 87. REVISED ACCORDING TO DESIGN DEVELOPMENT 86 88. REVISED ACCORDING TO DESIGN DEVELOPMENT 87 89. REVISED ACCORDING TO DESIGN DEVELOPMENT 88 90. REVISED ACCORDING TO DESIGN DEVELOPMENT 89 91. REVISED ACCORDING TO DESIGN DEVELOPMENT 90 92. REVISED ACCORDING TO DESIGN DEVELOPMENT 91 93. REVISED ACCORDING TO DESIGN DEVELOPMENT 92 94. REVISED ACCORDING TO DESIGN DEVELOPMENT 93 95. REVISED ACCORDING TO DESIGN DEVELOPMENT 94 96. REVISED ACCORDING TO DESIGN DEVELOPMENT 95 97. REVISED ACCORDING TO DESIGN DEVELOPMENT 96 98. REVISED ACCORDING TO DESIGN DEVELOPMENT 97 99. REVISED ACCORDING TO DESIGN DEVELOPMENT 98 100. REVISED ACCORDING TO DESIGN DEVELOPMENT 99	M.S. HEO	S.H. OH	S.H. PARK
AUG-16-2012	FIN		FINALLY PREPARED FOR H. 6096.	M.S. HEO	S.H. OH	S.H. PARK



PRINCIPAL PARTICULARS			
LENGTH	O.	A.	ABT. 183.00 M
LENGTH	B.	P.	175.50 M
BREADTH	(MLD)		27.80 M
DEPTH	(MLD)		15.60 M
DRAFT	DESIGN (MLD)		9.80 M
	SCANT. (MLD)		10.90 M
MAIN ENGINE	HYUNDAI-B&W 6S50ME-B8		
	NOMINAL RATING : 9,960 KW X 127.0 RPM		
	MCR : 7,948 KW X 127.0 RPM		
	NCR : 7,074 KW X 122.2 RPM		
SERVICE SPEED AT DESIGN LOAD (NCR WITH 15% S.M)	Abt. 14.5 Knots		
CLASSIFICATION : RINA	C+ Bulk Carrier ESP, +AUT-UMS, BC-A (Hold 2 and 4 may be empty), GRAB(20), MON-SHAFT, GREEN STARS, COAT-WBT		
FLAG	Liberia		
FREEBOARD TYPE	B		
COMPLEMENT	29+6P		
IMO NO.	9595151		

CLASSIFICATION		CAUTION	
A		THIS DRAWING OR DOCUMENT IS THE PROPERTY OF HYUNDAI MIPO DOCKYARD CO., LTD. AND IT MUST NOT BE PARTIALLY OR WHOLLY COPIED OR USED FOR ANY OTHER PURPOSE WITHOUT PRIOR WRITTEN PERMISSION OF HYUNDAI MIPO DOCKYARD CO., LTD.	

DEPT 1 NO	DEPT 1 NAME	SHIP TYPE	SHIP NO	CLASS BULK CARRIER (D.H.)
5410	BASIC DESIGN DEPT 1	37,000 DWT	6096	CIELO DI CAPALBIO
TEL NO	SHIP NO	SHIP NAME	NAME OF DRAWING	
3754	6096	CIELO DI CAPALBIO	GENERAL ARRANGEMENT	
DATE	APPROVED	CHECKED	DRAWN	SCALE
SEP-06-2011	S. H. PARK	S. H. OH	M. S. HEO	1/200
DATE	APPROVED	CHECKED	DRAWN	SCALE
SEP-06-2011	S. H. PARK	S. H. OH	M. S. HEO	1/200
DATE	APPROVED	CHECKED	DRAWN	SCALE
SEP-06-2011	S. H. PARK	S. H. OH	M. S. HEO	1/200